



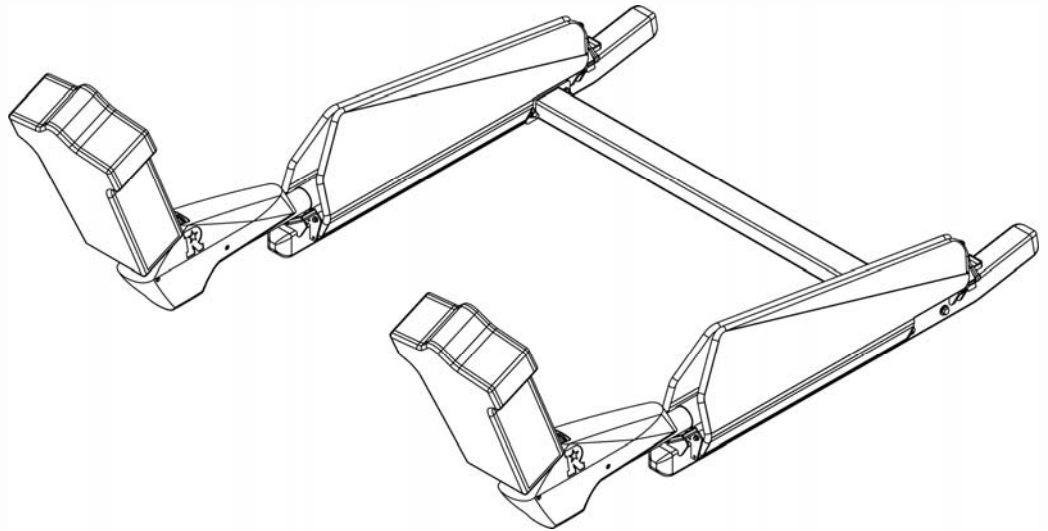
ROGGEERS

PRODUCT INFORMATION PACKET

PRODUCT NAME: TEK SLED™

PRODUCT PART NUMBER: 411412, 411413, 411414,
411415, 411416, 411417

PATENT PENDING



KEEP INFORMATION PACKET FOR FUTURE REFERENCE

TABLE OF CONTENTS

- Introduction.....1
- General Safety Rules.....2
- Symbols.....3
- Technical Specifications.....4
- Assembly Instructions.....5
- User Instructions.....6
- Maintenance.....10
- Customer Service Information.....10

INTRODUCTION

The Rogers Athletic Tek Sled™ has been designed and manufactured with safety, performance and dependability as top priorities, making it easy to operate and maintain.

The care you give your Tek Sled™ will greatly determine your satisfaction with its performance and service life. Careful study of this manual is encouraged to obtain a thorough understanding of your new Tek Sled™ and its functions and maintenance.

If your manual becomes lost or destroyed, Rogers Athletic will gladly provide you with a new copy. Should you require additional information or assistance, please feel free to contact us at 1-800-457-5337.

BECAUSE ROGERS ATHLETIC MAINTAINS AN ONGOING PROGRAM OF
PRODUCT DEVELOPMENT AND IMPROVEMENT, WE RESERVE THE RIGHT
TO MAKE IMPROVEMENTS IN DESIGN OR CHANGES IN SPECIFICATIONS
WITHOUT INCURRING ANY OBLIGATIONS TO INSTALL THEM ON UNITS
PREVIOUSLY SOLD.

GENERAL SAFETY RULES



WARNING!

READ AND UNDERSTAND ALL INSTRUCTIONS.



Failure to follow all instructions listed below may result in serious personal injury.

SAVE THESE INSTRUCTIONS

- **Supervision of athletes while using the equipment is recommended.** Horse play such as climbing on the machine or using the machine for unintended purpose can result in injuries.
- **Athletes should be oriented in the proper use of the equipment.**
- **Athletes should be properly fit to engage in a workout regimen.** Obtaining a medical exam prior to beginning any training program is recommended. If an athlete feels faint, dizzy, or experiences pain at any time while exercising, they should stop exercising and consult a physician.
- **Inspect equipment prior to use.** DO NOT use if it appears damaged or inoperable.
- **This Product Information Packet is an integral part of this machine.** Save these instructions. If they are lost or damaged or if you would like another copy, a copy can be downloaded from www.RogersAthletic.com
- **Reading the Product Information Packet is recommended.** Failure to read this Packet is considered a misuse of this equipment.
- **Warning labels are an integral part of this equipment.** Become familiar with all caution/warning labels and never cover or deface caution/warning labels.
- **Deploy the equipment allowing sufficient room for safe access to the machine, adequate room for the coaches to stand and to ensure that the machine or players do not collide with a wall, another machine, or other players through the entire training exercise.**
- **Unit is designed for training multiple offensive and defensive drills with proper technique.** Do not use TEK Sled for anything other than its approved purpose.
- **Equipment is designed for use by one person per pad at a time.** Keeping other athletes and spectators away from the machines during use is recommended.
- **Design and execute training drills to avoid players from attempting to run through the same gap between the sled units simultaneously.** Colliding players could come in contact with the sled unit and/or connecting link resulting in an injury.
- **When not in use, store this equipment in a secure controlled area.** Unsupervised and/or inappropriate use of this equipment could result in serious injury.

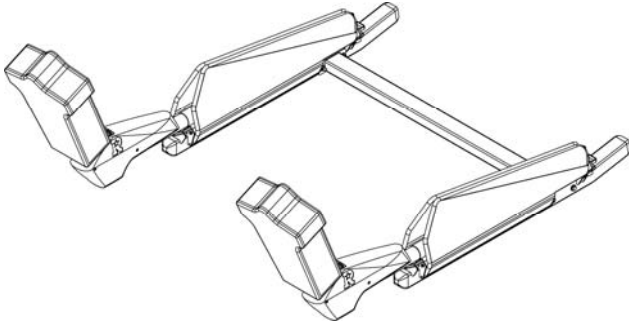
- **Use of the Tek Sled without the guards in place and in good working condition is considered misuse of this equipment and voids all warranties.** The Shock Cover and the “Wing” guards that cover the sled arm are integral to the Tek Sled for the protection of the athletes using the sled.

SYMBOLS

	<p>Safety Alert: Precautions that involve your safety.</p>
	<p>Store this equipment in a secure, controlled area: Unsupervised and/or inappropriate use of this equipment could result in serious injury.</p>

ROGERS ATHLETIC TEK SLED™ SPECIFICATIONS

TEK SLED™ (PART # 411412)



Weight:

2 man = 969 lbs

3-7 man = +526 lbs

Width (not including pads):

2 man = 88"

3-7 man = +78"

Height: 20" without pad

Depth: 106" without pad

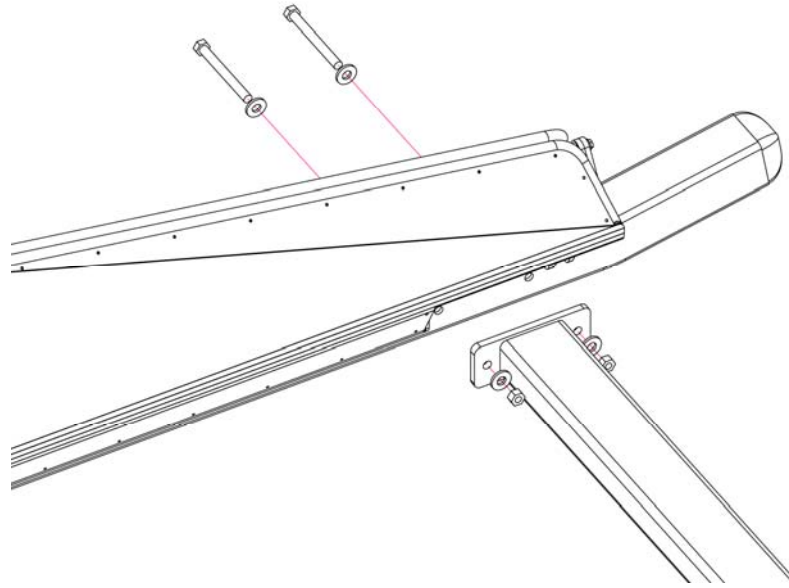
- Modular design allows easy upgrading.
- Compound pivot action means realistic drill response.
- Moving parts are covered for athletes' safety.
- Arm self locates at rest.
- Safety covers automatically move with the arm.
- Ground-hugging framework allows players to run through on defensive drills.
- End Caps welded -not riveted- on so they can't fall off, preventing water damage.
- Flat runners minimize grass and artificial turf wear.

Tek Sled™ Construction, Finish, and Hardware

- Constructed of ASTM specified steel.
- Baked-on powder coat finish.
- Pads covered with durable weather-resistant vinyl.
- Zinc-plated hardware.

ASSEMBLY INSTRUCTIONS

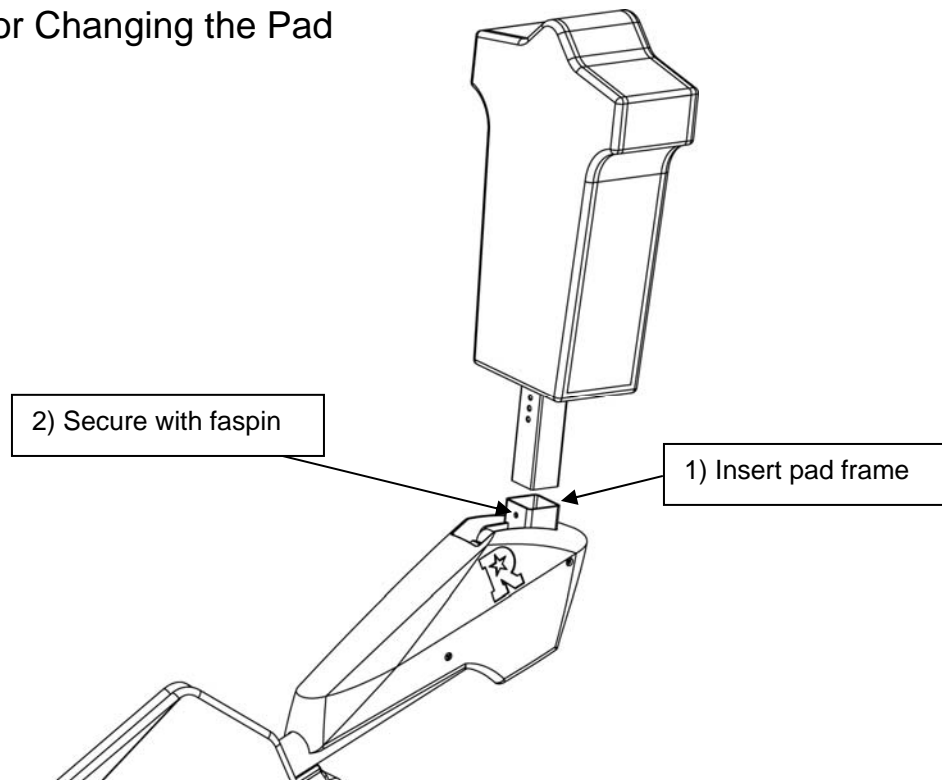
1 Attaching Connection Links



Notes: Heavy equipment – 2 or more individuals are required for assembly. DO NOT REMOVE SHIPPING STRAPS until sled is in general vicinity of setup.

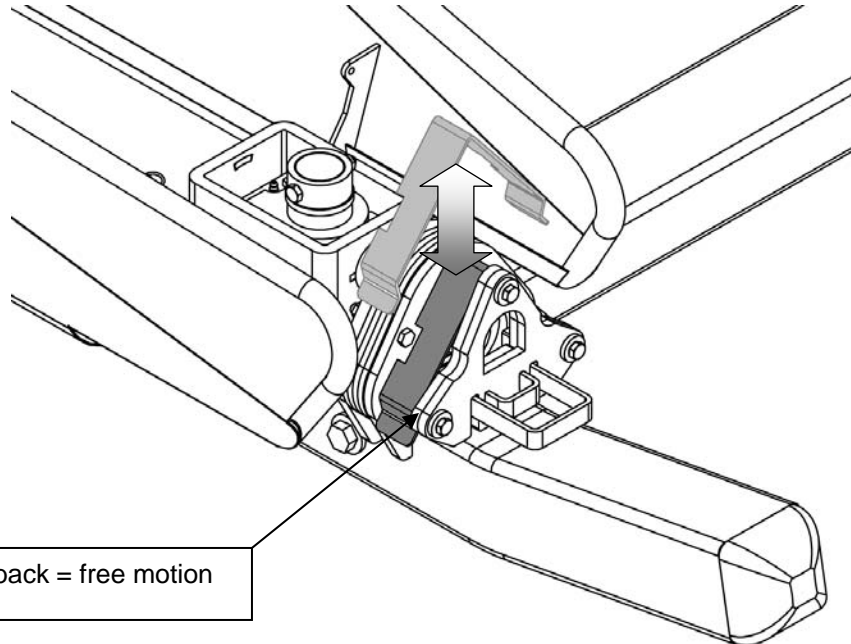
To connect 2 or more Tek Sleds together, space them on the ground approximately 6 feet apart and attach a connecting link. The link attaches at the back of the sled, under the pivot as shown in the figure above. 2 bolts of 5/8-11 x 6", 4 washers and 2 nuts are needed for each sled being attached. Use 15/16" wrench or socket to tighten.

2 Installing or Changing the Pad



USER INSTRUCTIONS

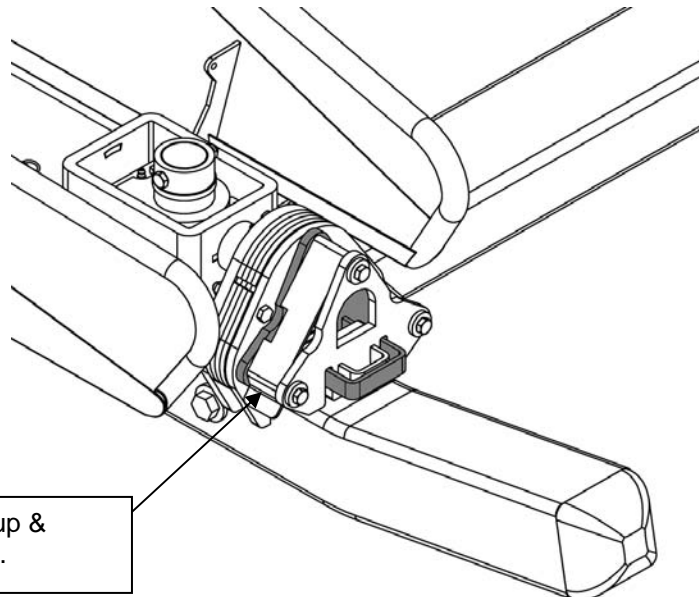
1 Operating the Lockout Plates



Note: Only change lockout plates when sled is not in use.

The part shown in shaded grey in this figure is the Lock Plate Retainer. The retainer allows tool-less operation of the Lockout Plates for customized drills with the Tek Sled. Installed as shown, with both plates behind the retainer, the Tek Sled is free to move in all directions.

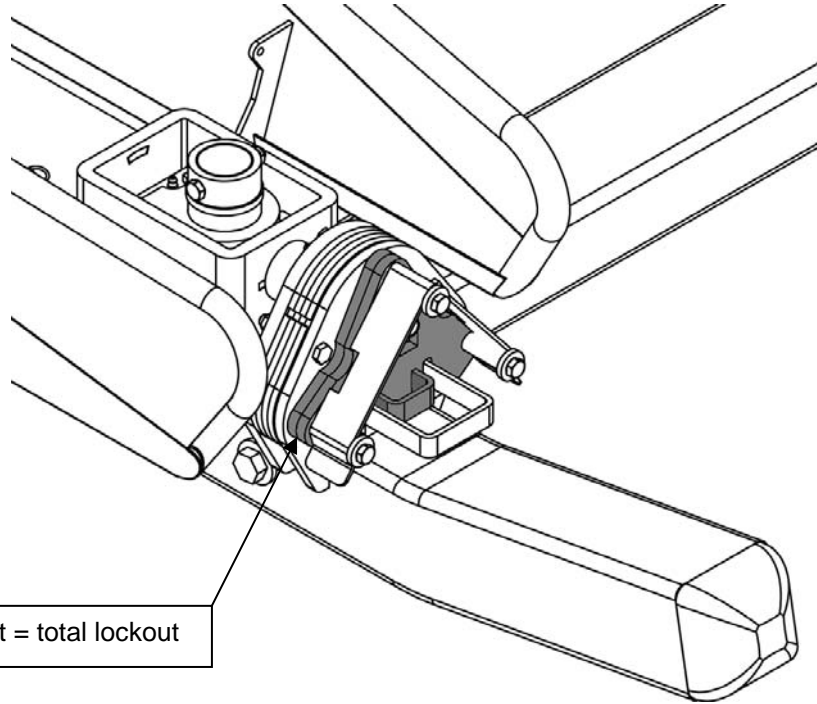
2



Note: Failure to snap the retainer in place between the two Lockout Plates could result in the plates disengaging or damage to the plates.

The Lockout Plates slide forward and backward on 3 slide bolts. To engage the first Lockout Plate (to restrict the Tek Sled to up & down movement only), remove the Lock Plate Retainer, slide the first plate forward, and snap the retainer in place between the two Lockout Plates.

3

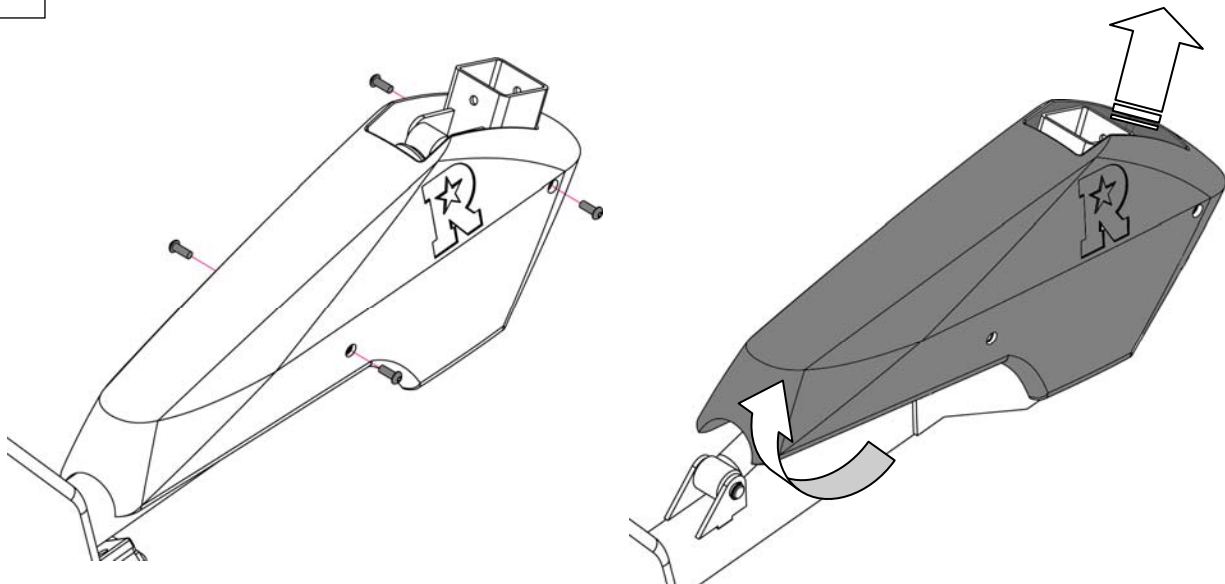


Note: Failure to snap the retainer in place between the two Lockout Plates could result in the plates disengaging or damage to the plates.

With both Lockout Plates forward of the retainer, the Tek Sled arm is completely locked out, restricting movement to the response of the pad only.

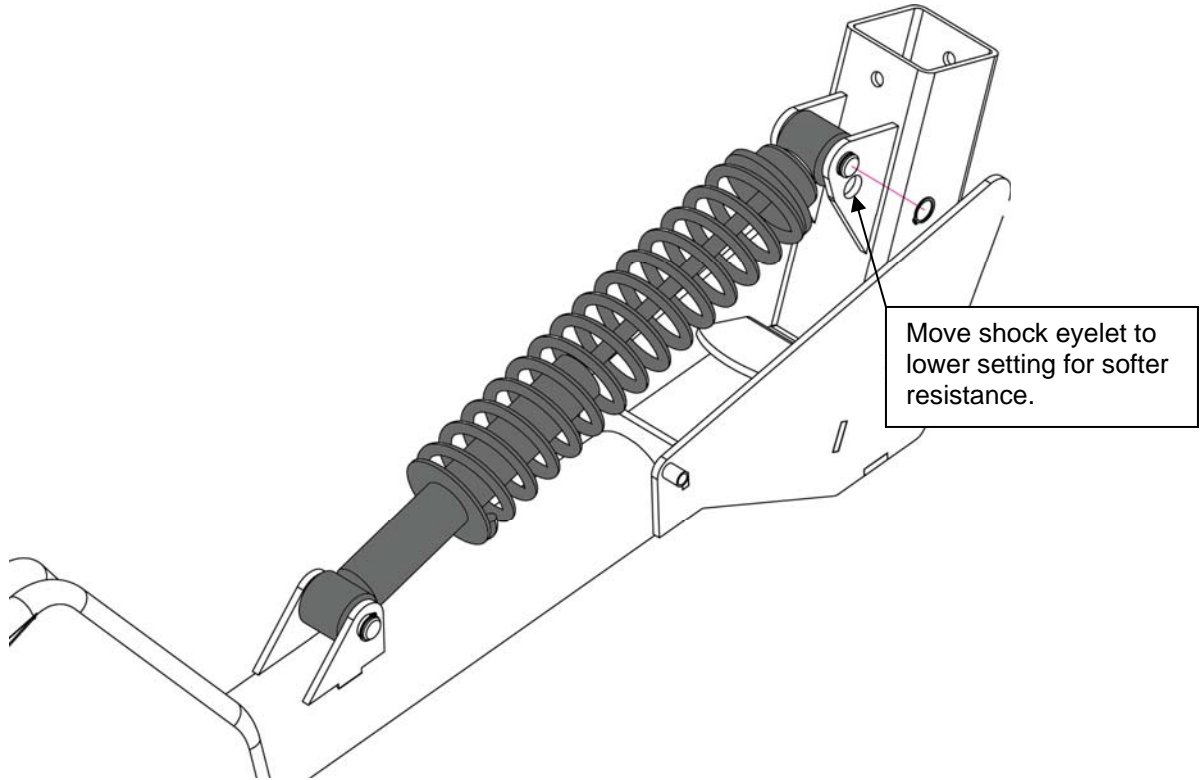
4

Adjusting Shock Angle



The feel of the shock system can be softened by moving the front of the shock to the lower mount. To access the shock, you must first remove the shock cover. Use a 7/32" allen wrench to remove the 4 bolts holding the shock cover in place. Pivot the rear of the shock cover up while lifting from the front of the shock cover.

5

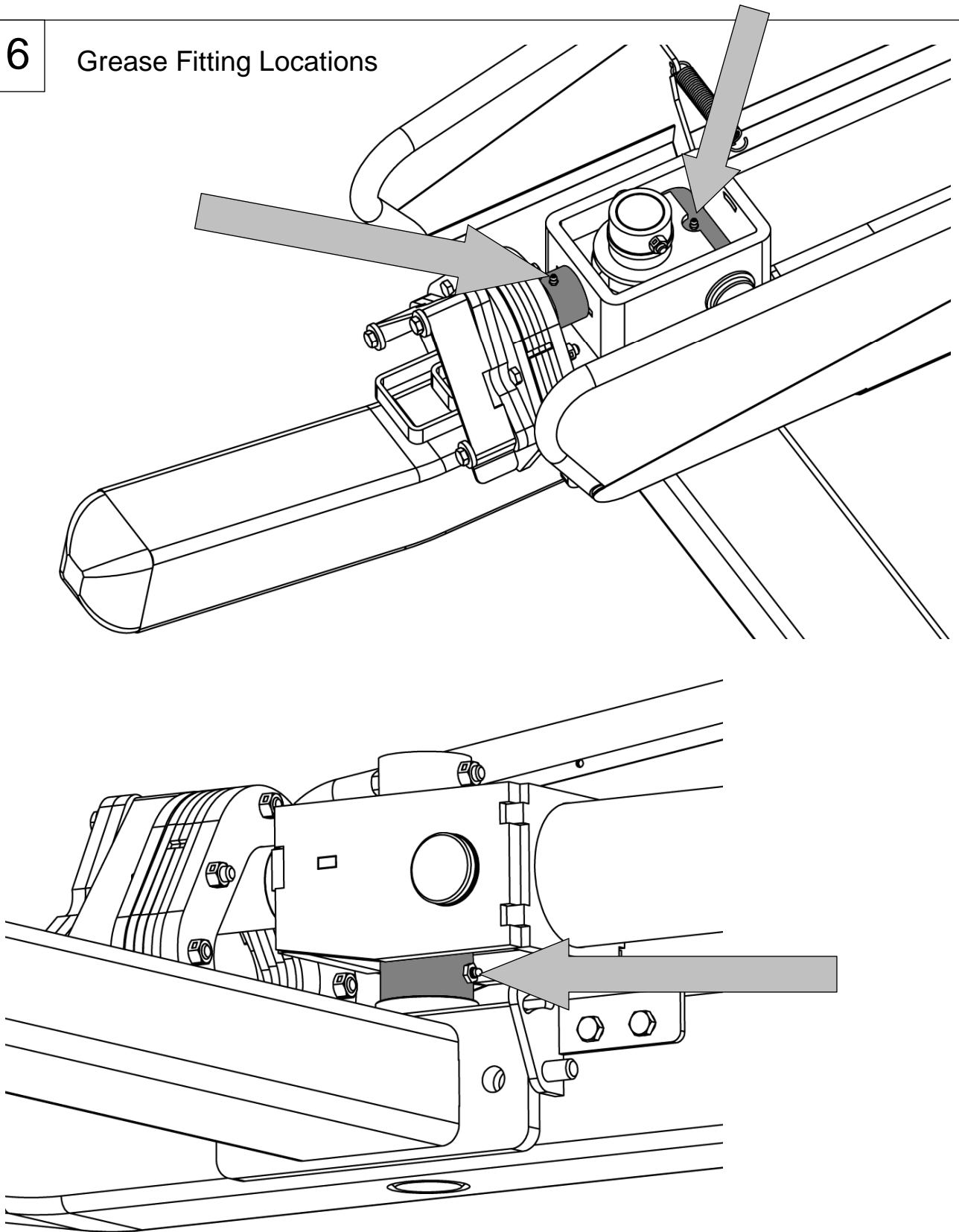


Important – The shock cover provides protection for the players, preventing direct contact with the shock and moving parts. Failure to replace the shock cover prior to use could result in injury to the players.

With shock cover removed, you can now remove the circlip from one side of the front shock pin, remove the pin, then set the front shock eyelet at the lower setting. Replace pin and circlip, then replace shock cover.

6

Grease Fitting Locations



Use a good multipurpose grease intended for low speed and high load, like Shell Alvania CG Lithium or similar. Fill bearing until grease runs out, then clean excess grease off to avoid attracting dirt.

MAINTENANCE



WARNING!

READ AND UNDERSTAND ALL MAINTENANCE PROCEDURES.

Failure to follow all procedures listed below may cause serious injury and/or a decrease in equipment functionality.

- **Frequently check to see that all bolts are securely fastened.**
- **Pivots should be greased at least once a year.** There are 3 grease fittings on the knuckle area of the Tek Sled arm. One at the back near the lockout plates, one at the top surface of the up-down pivot, and one at the bottom of the left-right pivot near the square tube of the sled's runner.
- **Touch up paint may be used to cover scratches or blemishes sustained through use.**
- **Field equipment should be washed periodically with soapy water to maintain original surface finish.**
- **A silicone based lubricant may be used on moving parts to maintain proper function.**
- **Replace any damaged equipment with genuine Rogers Athletic parts.** Failure to do so may result in unsafe equipment and/or personal injury.
- **Remove pads when not in use.** Store pads in a safe, dry place.

CUSTOMER SERVICE

For parts or service contact Rogers Athletic Company. When ordering parts be sure to provide all relevant information available including the name and part number of the equipment purchased. This information is located on the cover of this product information package. Customer service hours are Monday through Friday from 8:00 a.m. to 5:00 p.m. Eastern Standard Time. Customers can phone (989) 386-2950 or toll free at (800) 457-5337. Fax toll free at (888) 549-9659 or mail to:

Rogers Athletic Company
3760 W. Ludington Drive
Farwell, MI 48622

Rogers Athletic Company
3760 N. Ludington Drive
Farwell, MI 48622
www.rogersathletic.com
(989) 386-2950
(800) 457-5337
Fax toll free (888) 549-9659