



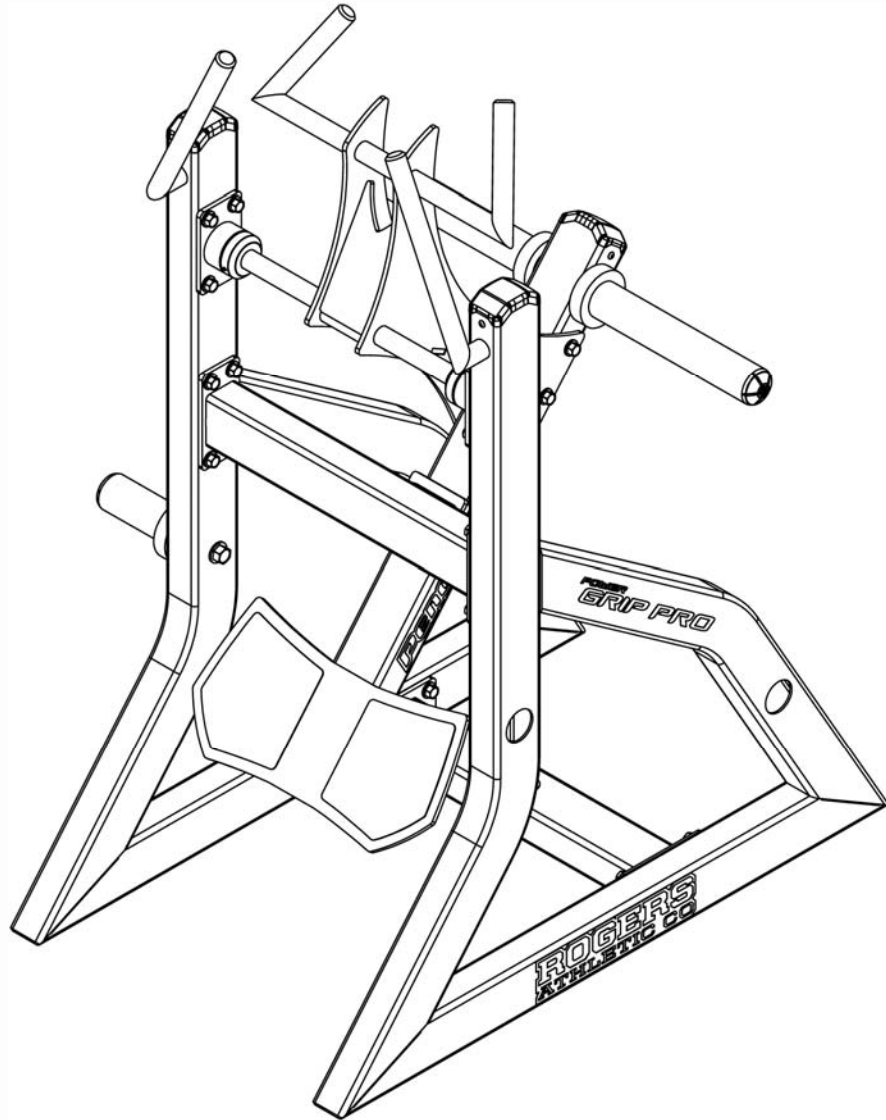
# ROGERS

## PRODUCT INFORMATION PACKET

PRODUCT NAME: PENDULUM POWER GRIP PRO

PRODUCT PART NUMBER: 410606

PATENT PENDING



KEEP INFORMATION PACKET FOR FUTURE REFERENCE

# TABLE OF CONTENTS

---

▪ Introduction.....	1
▪ General Safety Rules.....	2
▪ Symbols.....	4
▪ Technical Specifications.....	5
▪ Use Instructions.....	6
▪ Maintenance.....	7
▪ Customer Service Information.....	8

## INTRODUCTION

---

The Pendulum Power Grip Pro by Rogers Athletic has been designed and manufactured with safety, performance and dependability as top priorities, making it easy to operate and maintain.

The care you give your Grip machine will greatly determine your satisfaction with its performance and service life. Careful study of this manual is encouraged to obtain a thorough understanding of your new Grip machine and its functions.

If your manual is lost or destroyed, Rogers Athletic will gladly provide you with a new copy. Should you require additional information or assistance, please feel free to contact us at 800-457-5337.

BECAUSE ROGERS ATHLETICS MAINTAINS AN ONGOING PROGRAM OF PRODUCT DEVELOPMENT AND IMPROVEMENT, WE RESERVE THE RIGHT TO MAKE IMPROVEMENTS IN DESIGN OR CHANGES IN SPECIFICATIONS WITHOUT INCURRING ANY OBLIGATIONS TO INSTALL THEM ON UNITS PREVIOUSLY SOLD.

# GENERAL SAFETY RULES

---



## **WARNING!**

### **READ AND UNDERSTAND ALL INSTRUCTIONS.**

Failure to follow all instructions listed below may result in serious personal injury.





---

## **SAVE THESE INSTRUCTIONS**

- **Supervision of athletes while using the equipment is recommended.** Horse play such as climbing on the machine or using the machine for unintended purpose can result in injuries.
- **Athletes should be oriented in the proper use of the equipment.**
- **Athletes should be properly fit to engage in a workout regimen.** Obtaining a medical exam prior to beginning any exercise program is recommended. If an athlete feels faint, dizzy, or experiences pain at any time while exercising, they should stop exercising and consult a physician.
- **Athletes should wear close fitting clothing to keep the clothing free from and clear of all moving parts.**
- **Inspect equipment prior to use.** DO NOT use if it appears damaged or inoperable.
- **This Product Information Packet is an integral part of this machine.** Save these instructions. If they are lost or damaged or if you would like another copy, a copy can be downloaded from [www.RogersAthletic.com](http://www.RogersAthletic.com)
- **Reading the Product Information Packet is recommended.** Failure to read this Packet is considered a misuse of this equipment.
- **Warning labels are an integral part of this machine.** Become familiar with all caution/warning labels and never cover or deface caution/warning labels.
- **Install the equipment allowing sufficient room for safe access to the machine, adequate room for the spotters to stand and to ensure that the machine does not collide with a wall or another machine through the entire range of motion.**
- **Stay clear of all pinch points.** Instruct all athletes to keep fingers away from the weight arm and away from moving parts that may present danger of pinching.
- **Unit is designed for performing a grip exercise with proper technique using only authorized Rogers Athletic components.** Do not use weight equipment for anything other than its approved purpose.
- **Equipment is designed for use by one person at a time.** Keeping other athletes and spectators away from the machines during use is recommended.
-

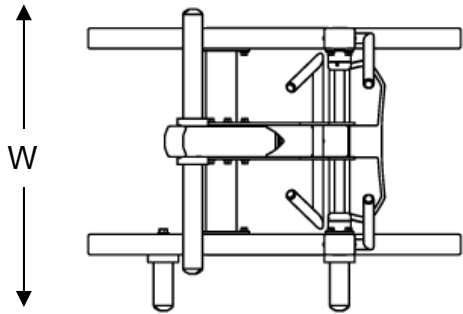
- **Anchoring the machine in place is recommended.** The Pendulum Power Grip Pro by Rogers Athletic has built-in anchor points allowing it to be bolted down. Rogers Athletic is not responsible for the installation of the anchors. Use a professional contractor to anchor the machine(s). Use 3/8" grade 5 or better fasteners.
- **A clean workout environment is recommended to avoid trip hazards.**
- **Questions or comments?** Please contact Rogers Athletic by phone (1-800-457-5337), or visit our website at [www.RogersAthletic.com](http://www.RogersAthletic.com)

# SYMBOLS

	<p><b>Safety Alert:</b> Precautions that involve your safety</p>
 <p>To avoid personal injury, do not use this equipment until properly trained.</p>	<p><b>Athletes must be properly trained before using equipment.</b> Failure to train athletes may result in personal injury.</p>
 <p><b>CAUTION</b> <b>Pinch Point.</b> Keep hands and fingers clear.</p>	<p><b>Pinch Point Symbol:</b> Failure to keep hands away from pinch points will result in personal injury</p>
 <p><b>CAUTION</b> Stay clear of equipment when in use.</p>	<p><b>Stay Clear Warning Label:</b> Stay clear of weight equipment when it's in use. Only spotters should be in close proximity when the equipment is being used by someone else.</p>

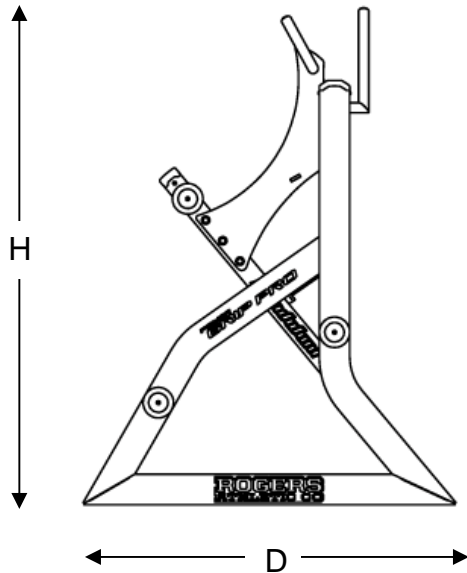
# ROGERS ATHLETIC WEIGHT EQUIPMENT SPECIFICATIONS

## PENDULUM POWER GRIP PRO BY ROGERS ATHLETIC



Weight:	120 lbs
Height:	49"
Width:	26" (without storage horns)
Depth:	37"

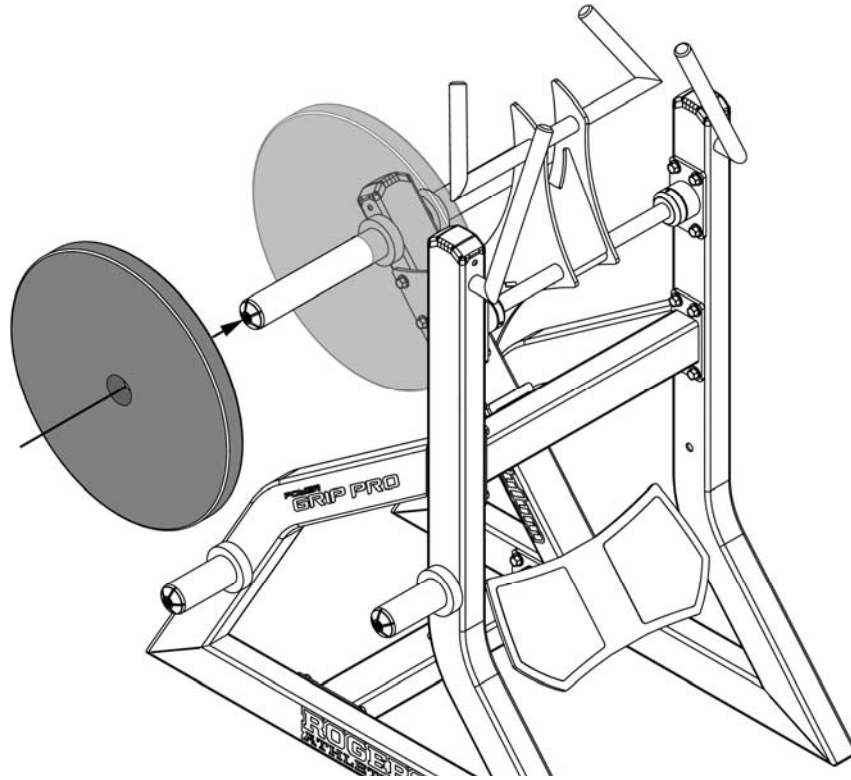
- Stainless steel handles
- Weight horns constructed of steel insert with urethane sleeve for long life and ease of weight placement
- Foot pedal allows safe start, force negatives, and fatigue assist (or self-spotting)
- Equipped for floor anchorage
- Durable urethane bumpers for long life
- Color choices available



### Construction, Finish, and Hardware

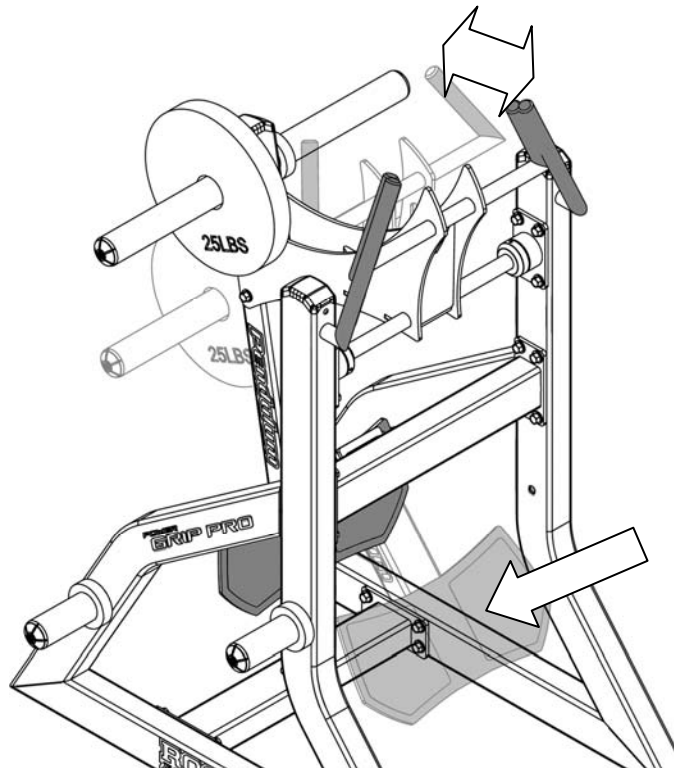
- Constructed of ASTM specified steel.
- Baked-on powder coat finish
- Zinc plated hardware of Grade 5 or equivalent

1



Load desired weight plates on the weight horns.

2



Use foot pedal to bring handles within grip range. Or, use foot pedal to hold heavy weight in closed grip position in order to begin a force negative exercise.

## MAINTENANCE

---



### **WARNING!**

### **READ AND UNDERSTAND ALL MAINTENANCE PROCEDURES.**

Failure to follow all procedures listed below may cause serious injury and decrease the equipment's functional existence.

---

- **Frequently check to see that all bolts are securely fastened**
- **Touch up paint can be used to cover any scratches or blemishes sustained through use.**
- **A silicone based lubricant may be used on moving parts to maintain proper function.**
- **Replace any damaged equipment with genuine Rogers Athletic parts.** Failure to do so may result in unsafe equipment and/or personal injury.

## CUSTOMER SERVICE

---

For parts or service contact Rogers Athletic Company. When ordering parts be sure to provide all relevant information available including the name and part number of the equipment purchased. This information is located on the cover of this product information package. Hours of phone service are Monday through Friday from 8:00 a.m. to 5:00 p.m. Eastern Standard Time. Customers can phone (989) 386-2950 or toll free at (800) 457-5337. Fax toll free at (888) 549-9659 or mail:

Rogers Athletic Company  
3760 W. Ludington Drive  
Farwell, Michigan 48622



Rogers Athletic Company  
3760 W. Ludington Drive  
Farwell, MI 48622  
[www.rogersathletic.com](http://www.rogersathletic.com)  
(989) 386-2950  
(800) 457-5337  
Fax toll free (888) 549-9659

PIP410606