

# Anchor HL



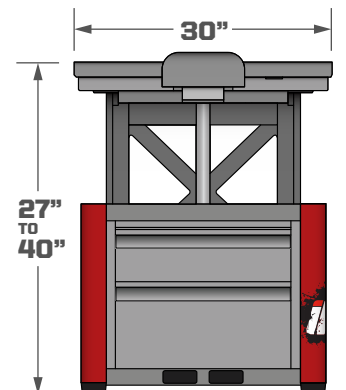
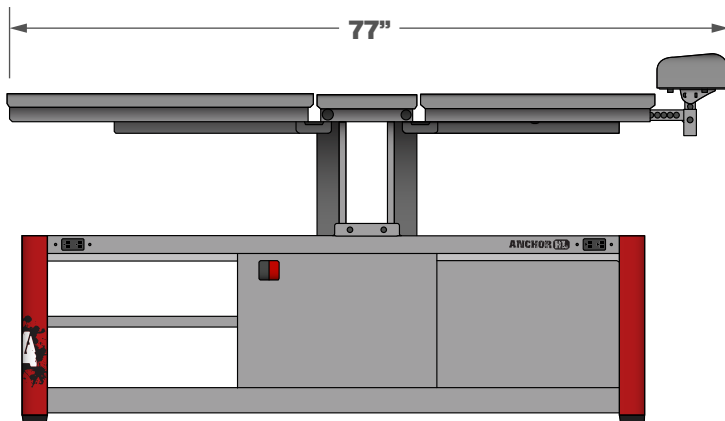
The Anchor HL is designed to provide ultimate flexibility in your athletic training room and beyond. Whether you are examining, treating, or taping, this table will adjust to your specific needs. The backrest and leg pads allow the table to convert from a treatment table to a taping station, while the height adjustment will accommodate athletic trainers of any height. There is no need for a separate modality cart as the Anchor HL has ample space for tape, towels and modality storage.



Plenty of drawer and cabinet space



Anti-microbial, adjustable head rest



## ANCHOR HL

650 lb #410929

See Page 15 for powder coat color options.

# Colors and Customization

Your logo can be placed on all Impact Athletic products. In fact, building tables with custom colors and graphics is our specialty. Ordering for the entire training room? We've got you covered. Give our team a call for a quote and to see what we can do with your logos!



## STANDARD FRAME COLORS (Included)



## STANDARD TOP COLORS (Included)



## PREMIUM TOP COLORS (Call for Pricing)



## WOOD GRAIN FRAME COLORS (Call for Pricing)

Now you can get the same durable, built to last materials but in that traditional wood finish. Call for pricing.

